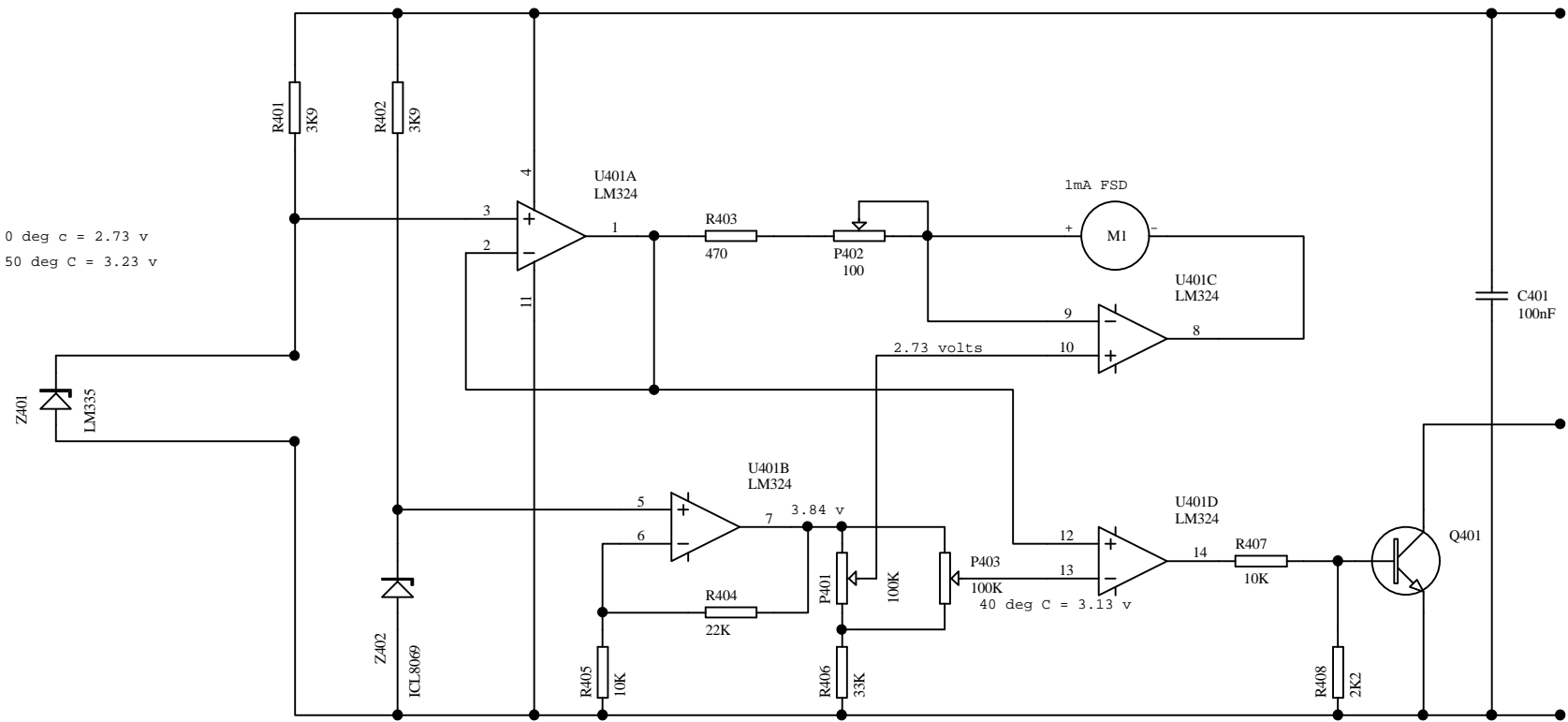


0 deg c = 2.73 v
 50 deg C = 3.23 v



| | | |
|--------------------|------------------------------------|--------------|
| Title | | |
| Battery Temp Meter | | |
| Size | Number | Revision |
| A4 | | 1, 0 |
| Date: | 26-Jun-2006 | Sheet of |
| File: | C:\CDR-DE-1\PROTEL\SCH\09590210.SD | Drawn By: AW |