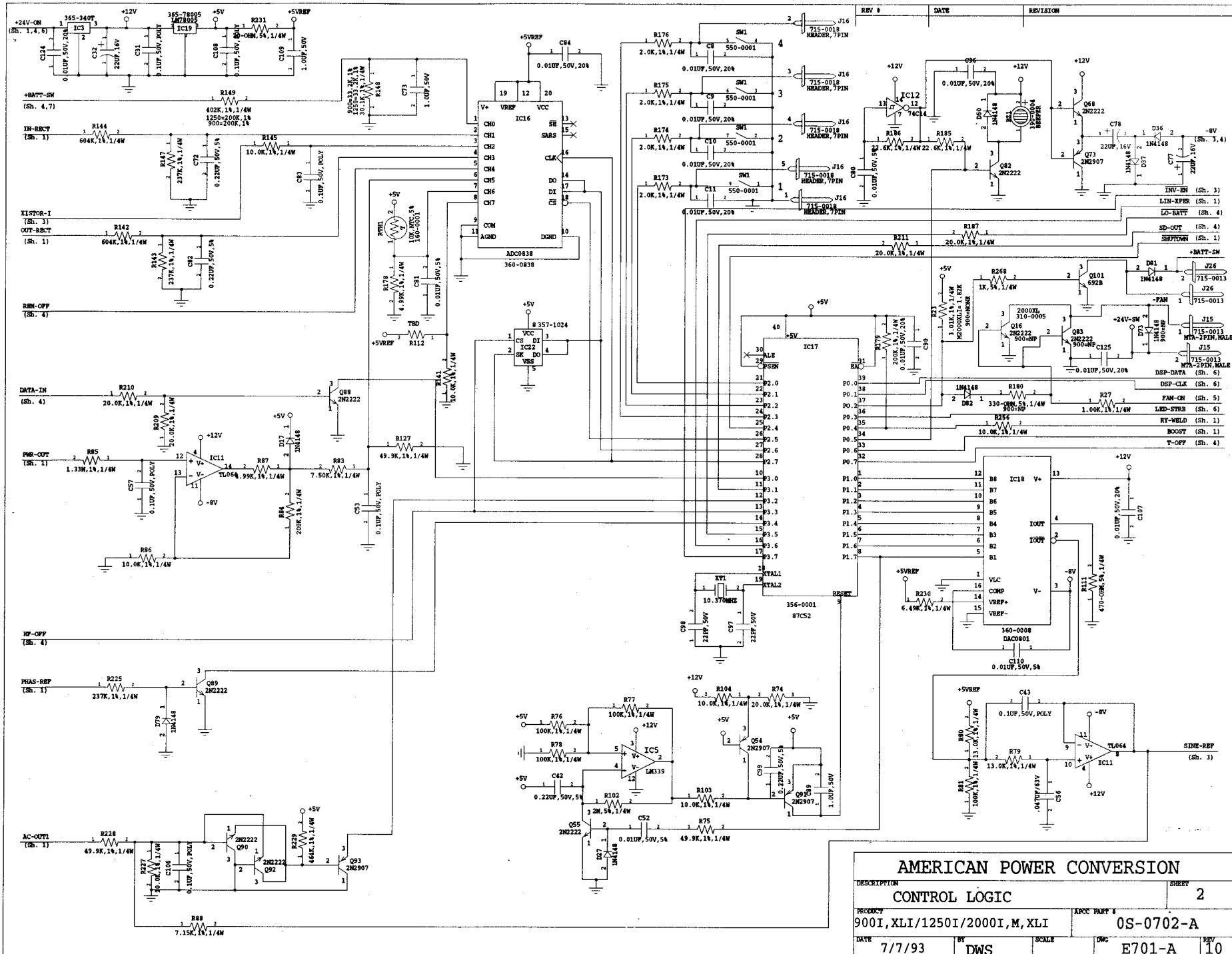
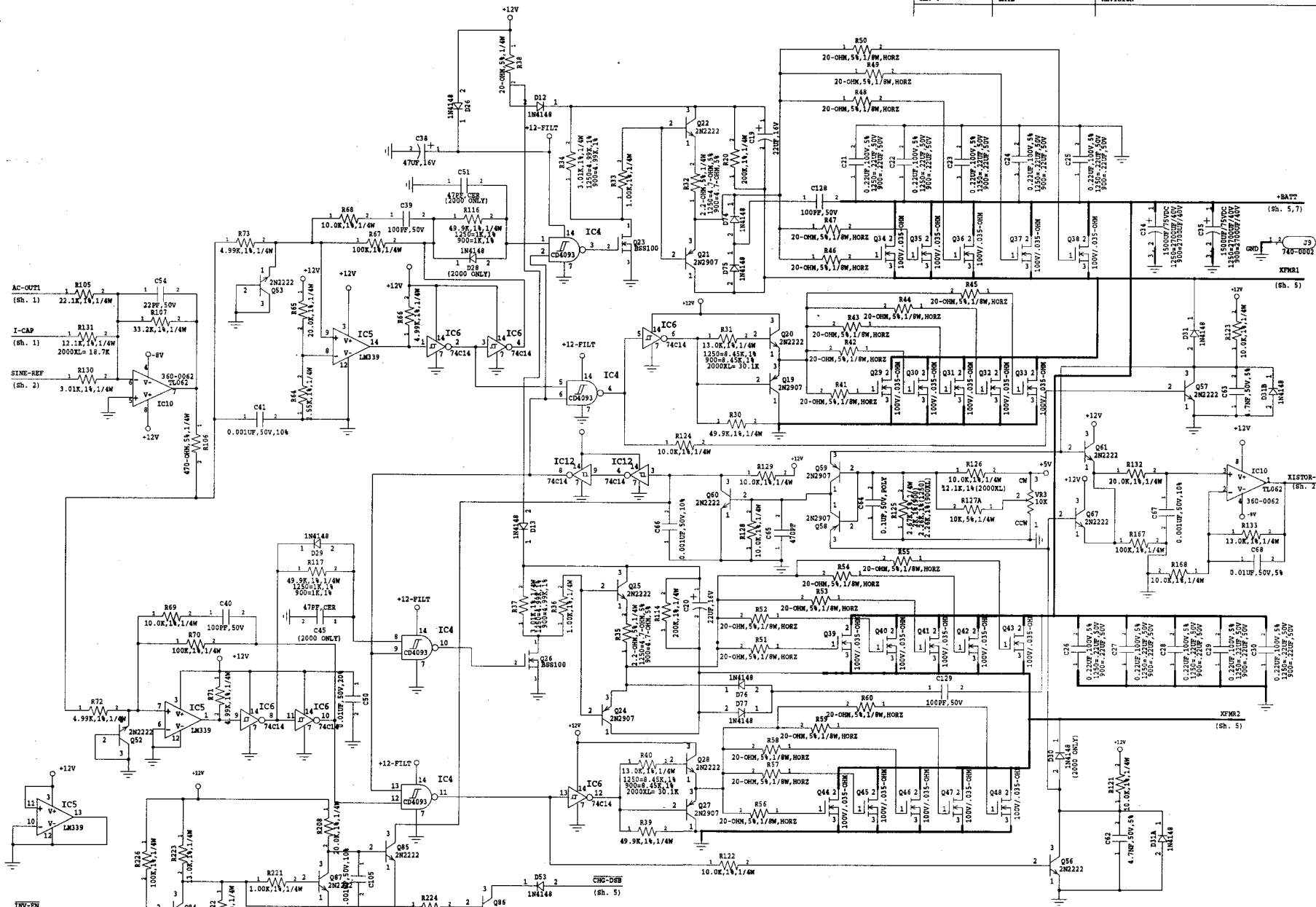


AMERICAN POWER CONVERSION			
DESCRIPTION	MAIN CIRCUIT BOARD		SHEET 1
PRODUCT	900I, XLI/1250I/2000I, M, XLI		APCC PART # 0S-0702-A
DATE	BY	SCALE	DWG
7/7/93	DWS		E701-A
			REV 10

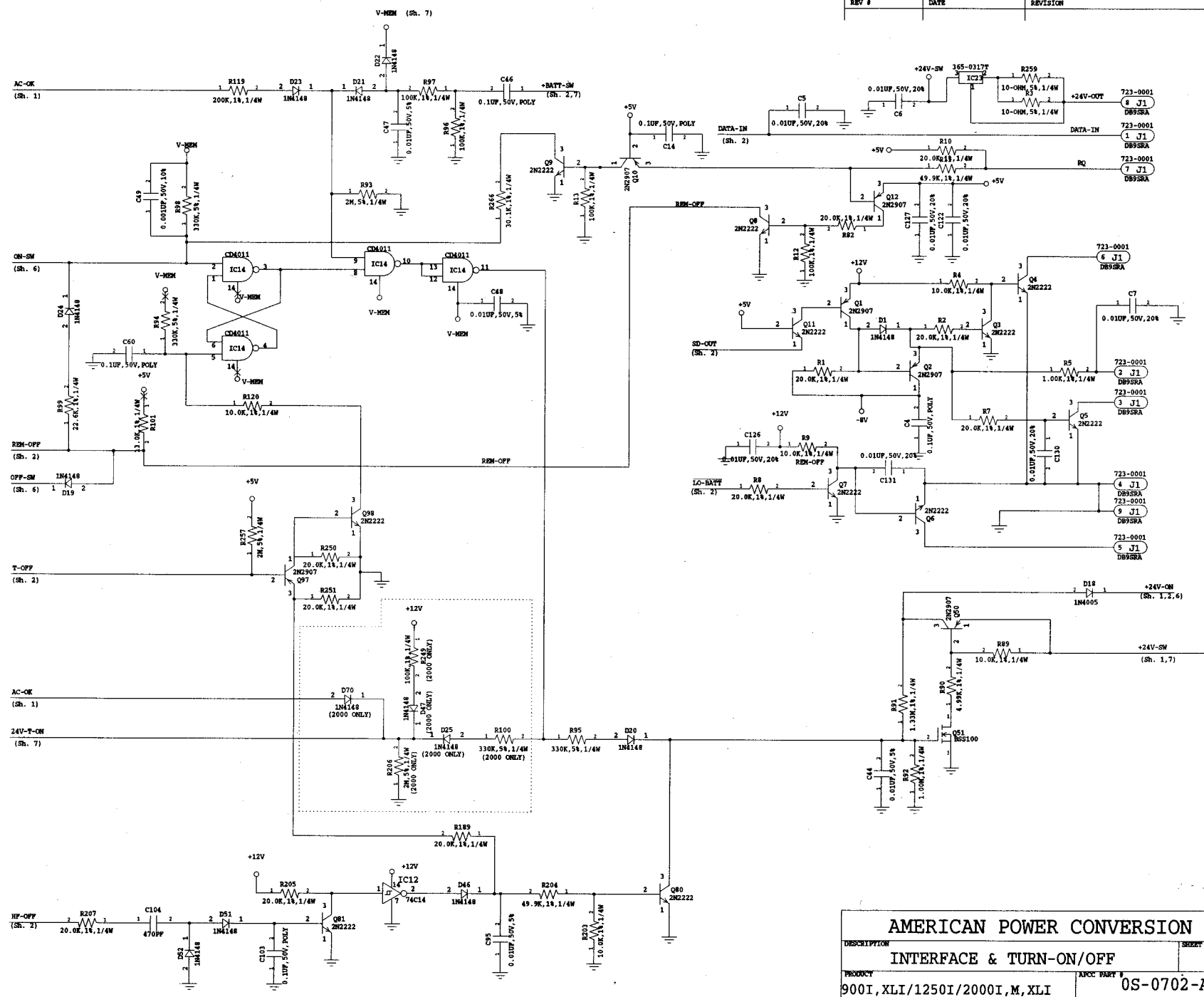


REV #	DATE	REVISION
8		

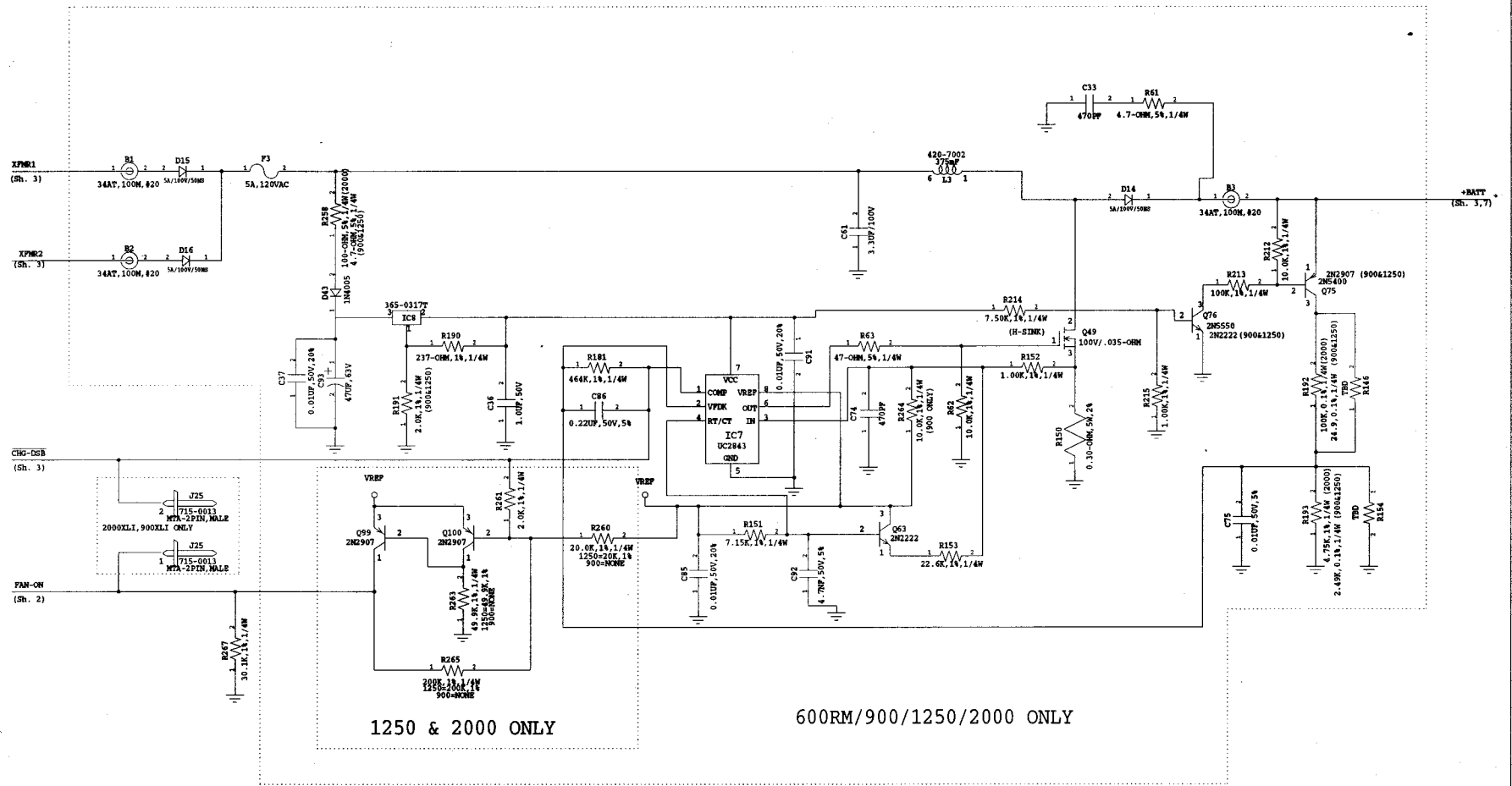
AMERICAN POWER CONVERSION		SHEET
CONTROL LOGIC		2
DESCRIPTION	PRODUCT	APCC PART #
	900I,XLI/1250I/2000I,M,XLI	05-0702-A
DATE	BY	SCALE
7/7/93	DWS	
	DWG	REV
E701-A		10



AMERICAN POWER CONVERSION		
DESCRIPTION	INVERTER	SHEET 3
PRODUCT	900I, XLI/1250I/2000I, M, XLI	APCC PART # OS-0702-A
DATE	7/7/93	SCALE DWG E702-A REV 10



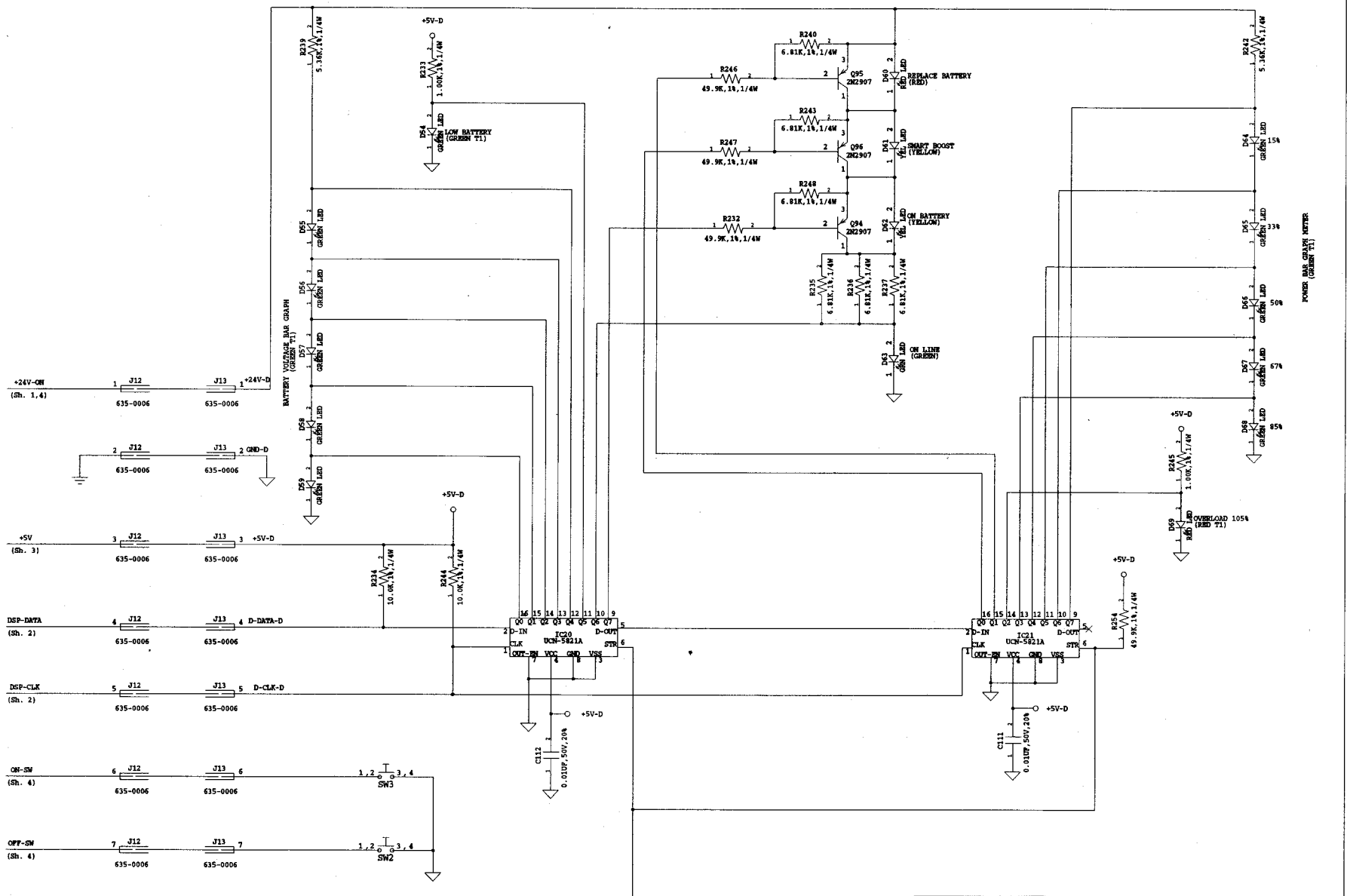
AMERICAN POWER CONVERSION			
DESCRIPTION			Sheet
INTERFACE & TURN-ON/OFF			4
PRODUCT		APCC PART #	
900I, XLI/1250I/2000I, M, XLI		0S-0702-A	
DATE	BY	SCALE	REV
7/7/93	DWS		E702-A 10



1250 & 2000 ONLY

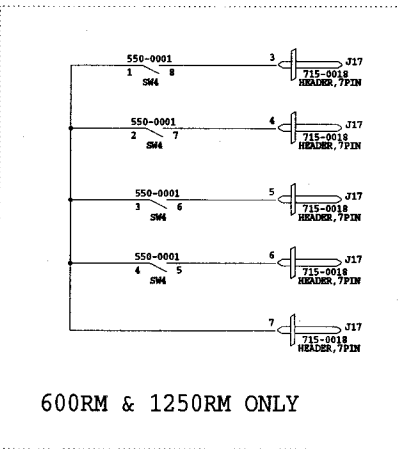
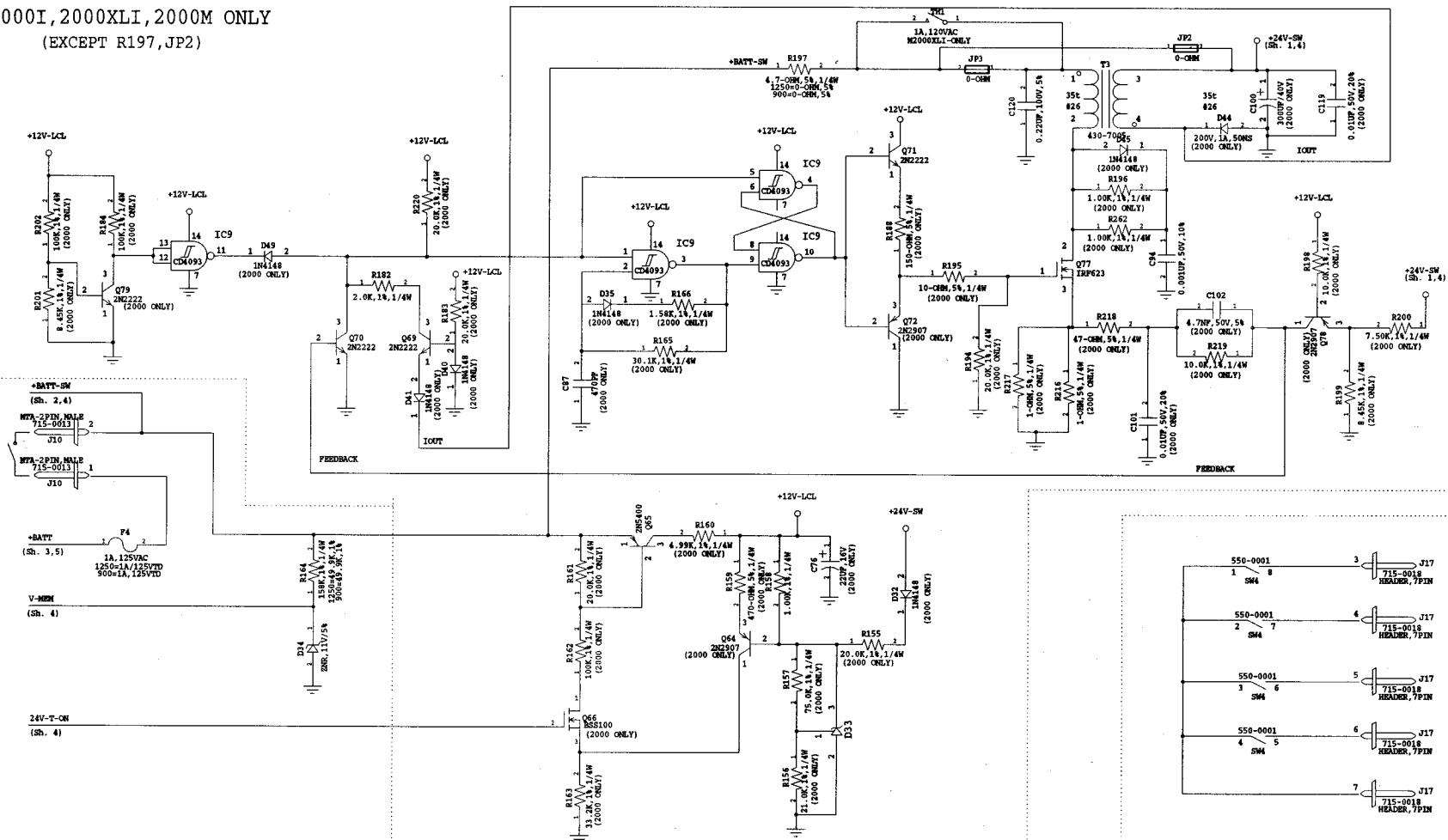
600RM/900/1250/2000 ONLY

AMERICAN POWER CONVERSION				
DESCRIPTION	BATTERY CHARGER			SHEET
				5
PRODUCT	900I, XLI/1250I/2000I, M, XLI		APCC PART #	OS-0702-A
DATE	7/7/93	BY	DWS	SCALE
				DWG
				E701-A
				REV
				10



AMERICAN POWER CONVERSION	
DESCRIPTION	SHIRT
DISPLAY BOARD	6
PRODUCT	APCC PART #
900I, XLI/1250I/2000I, M, XLI	0S-0702-A
DATE	BY
7/7/93	DWS
SCALE	DWG
	E702-A
	REV
	10

2000I, 2000XLI, 2000M ONLY
(EXCEPT R197, JP2)



600RM & 1250RM ONLY

AMERICAN POWER CONVERSION			
DESCRIPTION	DC/DC CONVERTER		SHEET 7
PRODUCT	900I, XLI/1250I/2000I, M, XLI		APCC PART # 0S-0702-A
DATE 7/7/93	BY DWS	SCALE	DWG E702-A REV 10